



The Inovonics EN7580 TapWatch gateway provides the reliability of submetering hardware with the anytime/anywhere access of the cloud. Using the TapWatch gateway, providers can directly access reads data for integration into billing software via TapWatch APIs, or manually access reads data through the TapWatch application.

### Product Features

Combines the receiver and data logger functionality into a single gateway

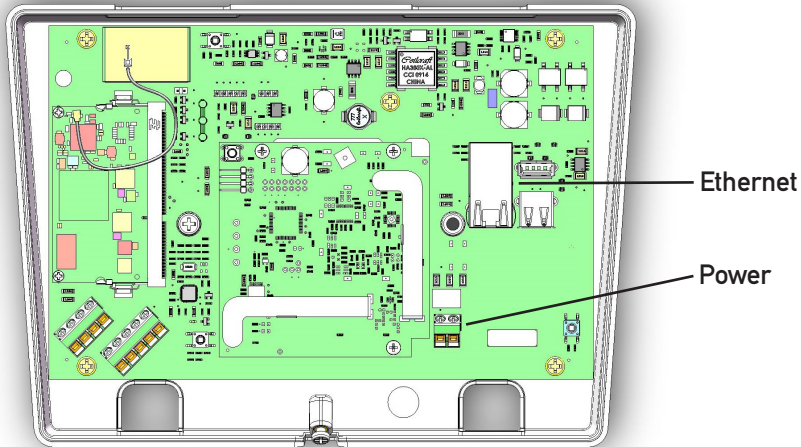
Supports over-the-air updates

Full compatibility with previously installed EchoStream systems

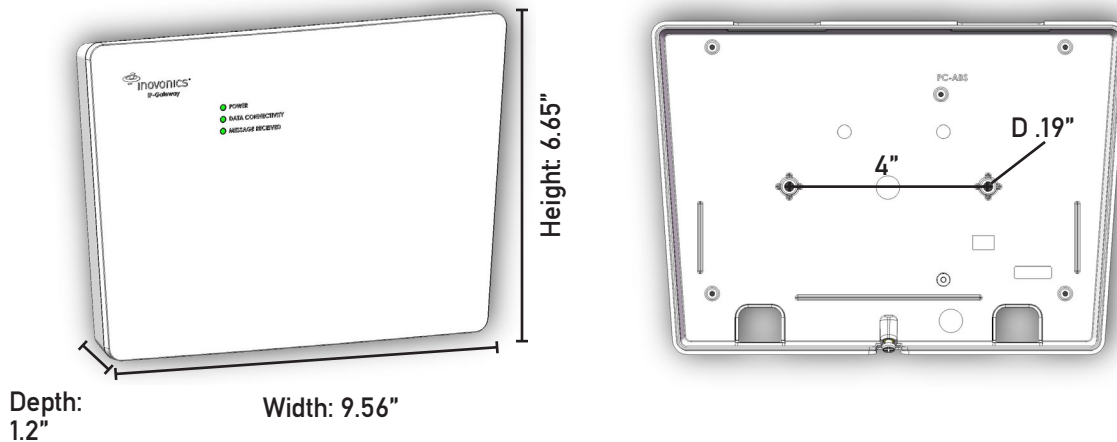
### TapWatch Gateway Specifications

Weight:	1 lb. 3.54 oz
Power requirement:	Line power: The Inovonics ACC610 transformer, or a 12-14V AC intrinsically safe power supply capable of supplying at least 20VA, or a 12-15V DC power supply capable of supplying at least 20VA; POE: IEEE 802.3af-2003 compliant
Connectivity:	10/100/1000BASE-T, DHCP
Storage capacity:	Messages for up to 1000 transmitters at 60-minute intervals
Operating environment:	
Temperature:	32° - 140°F
Humidity:	Up to 90% (non-condensing)
Market:	North America, Australia, New Zealand
EchoStream® frequency:	902-928 MHz, frequency hopping spread spectrum
Regulatory compliance:	FCC part 15 class B, Industry Canada RSS 247, RCM

## Inputs



## Dimensions



## Reference Materials (available at [www.inovonics.com](http://www.inovonics.com))

EN7580 TapWatch Gateway Installation Instructions

TapWatch Application User Manual

Inovonics Product Catalog: North America

## Technical documents

For technical documents visit us at <http://www.inovonics.com/support/tech-documents/> or use the QR code below.

- The range and performance of any wireless product depends on the structure and environment in which it operates.
- Continual enhancements to our products may cause specifications to change without notice.
- Patents: 7,154,866; 7,554,932; 7,746,804; others pending.

